



**INSTALLATION AND MAINTENANCE MAO SERIES**

Calibration in water											
MAO125XAA				MAO125XBB				MAO250XAA			
ML/MIN (GPH)	VDC	Hz	mA	ML/MIN (GPH)	VDC	Hz	mA	ML/MIN (GPH)	VDC	Hz	mA
0	0	0	0	0	0	0	0	0	0	0	0
20 (0.3170)	1	40	4	50 (0.7925)	1	40	4	100 (1.5850)	1	40	4
32.5 (0.5151)	2	80	8	75 (1.1888)	2	80	8	200 (3.1701)	2	80	8
45 (0.7133)	3	120	12	100 (1.5850)	3	120	12	300 (4.7551)	3	120	12
57.5 (0.9114)	4	160	16	125 (1.9813)	4	160	16	400 (6.3401)	4	160	16
70 (1.1095)	5	200	20	150 (2.3775)	5	200	20	500 (7.9252)	5	200	20
MAO250XBB				MAO500XAA				MAO500XBB			
ML/MIN (GPH)	VDC	Hz	mA	GPM (LPM)	VDC	Hz	mA	GPM (LPM)	VDC	Hz	mA
0	0	0	0	0	0	0	0	0	0	0	0
250 (3.9626)	1	40	4	0.5 (1.89)	1	40	4	1 (3.79)	1	40	4
638 (10.1125)	2	80	8	0.75 (2.84)	2	80	8	1.6 (6.06)	2	80	8
1025 (16.2466)	3	120	12	1.25 (4.73)	3	120	12	2.2 (8.33)	3	120	12
1413 (22.3965)	4	160	16	1.75 (6.62)	4	160	16	2.8 (10.60)	4	160	16
1800 (28.5306)	5	200	20	2.00 (7.57)	5	200	20	3.5 (13.25)	5	200	20

**PERFORMANCE:**

TOTAL ACCURACY: ± 5%  
 REPEATABILITY: ± 2% FULL SCALE  
 LINEARITY: ± 2% FULL SCALE

**OPERATING TEMPERATURE RANGE**

AMBIENT: 0 TO 125°F (-18 TO 52°C)  
 MEDIA: 0 TO 180°F (-18 TO 82°C)

**ELECTRICAL SPECIFICATIONS:**

POWER REQUIREMENTS:  
 VOLTAGE; REGULATED 15 – 30 VDC  
 CURRENT; 250 mA

**OUTPUTS:**

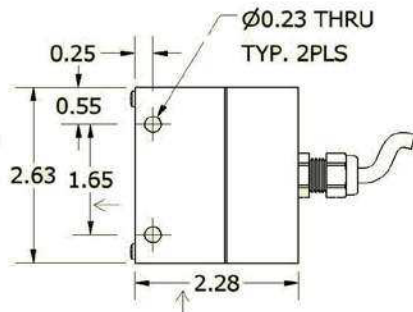
ANALOG: 0 – 5 VDC,  
 Minimum Load Impedance: 5k ohm in parallel with 250pf

DIGITAL: 200 Hz, Square wave 50% duty cycle  
 TTL compatible output.

CURRENT LOOP: 4 - 20 mA  
 Loop Load : 100Ω ±1% 1/4 watt

**WIRE CONNECTION:**

RED – (+)  
 BLACK – (- Common)  
 WHITE – (Frequency)  
 GREEN – (Voltage)  
 BROWN – (Current)



MAOIANDM120715

**INSTALLATION:**

Control valves should be placed downstream of the MAO flow meter. The flow meter should never be installed so that it drains completely when flow ceases.

When particles maybe present in the media, a filter should be installed ahead of the flow meter. It is advisable to filter to 10 microns.

The MAO flow meter should not be located near ferrous material or near strong electro-magnetic fields.

The MAO flow meter is sensitive to velocity profile disturbances in the flow stream. It is advisable that straight lengths of 10 inside diameters upstream and 5 inside diameters downstream be used.

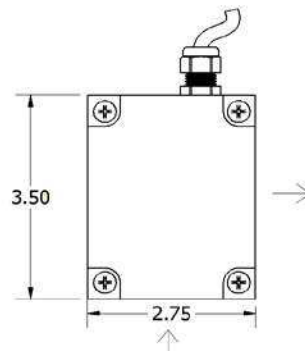
All lines should be completely purged of air before use.

The use of pipe dope is not recommended. Use care when using Teflon tape to avoid shreds from entering the MAO flow meter.

**MOUNTING:**

MAO-125-X-AA; Mount with INLET vertical, INLET port up, OUTLET port horizontal.

All other models mount with INLET port vertical, INLET port down, OUTLET port horizontal.



*\*Users are solely accountable for product selection, regardless of any recommendations or suggestions provided by ChemTec Equipment Company, Inc. Users should base product selection on their own analysis and testing to determine functionality and material compatibility in relation to their application. To ensure safe and trouble-free performance, it is essential to adhere to proper installation, operation, and maintenance procedures.*