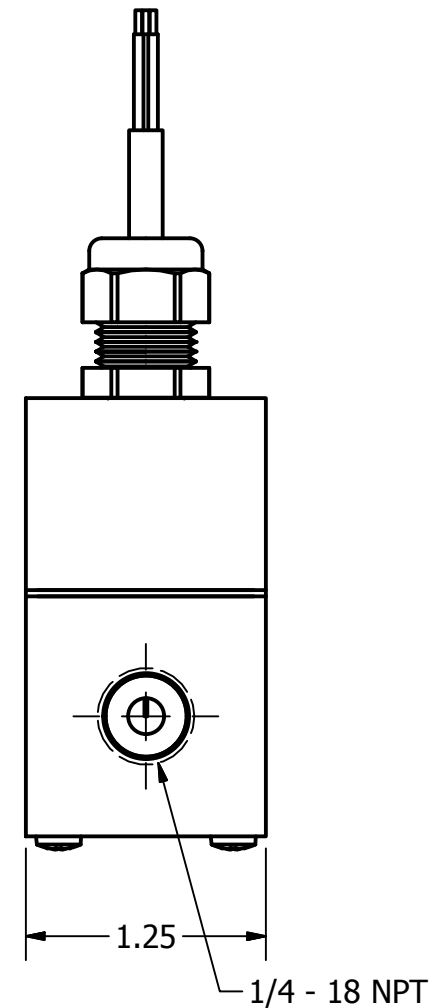
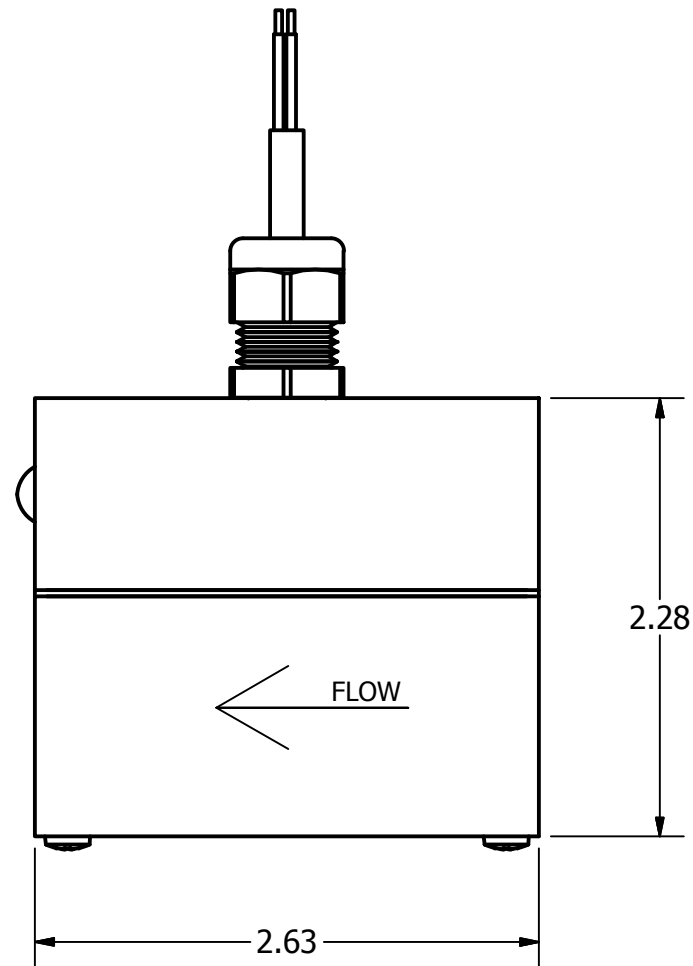
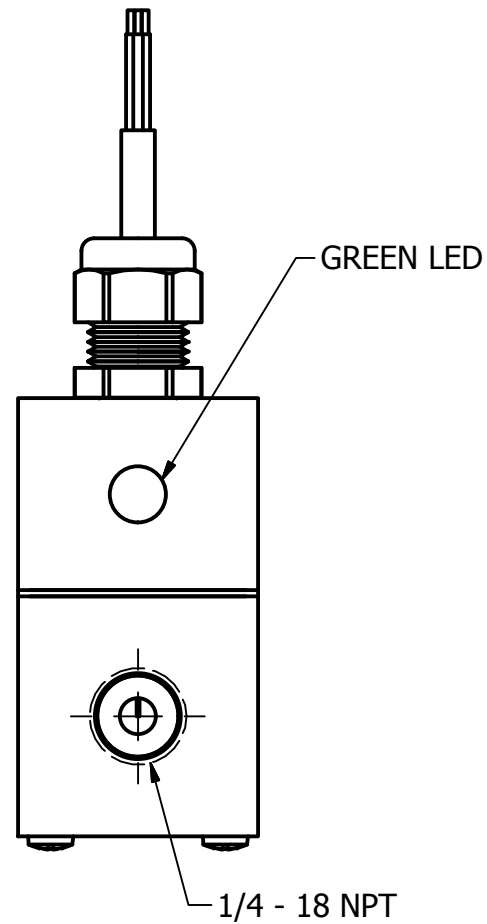
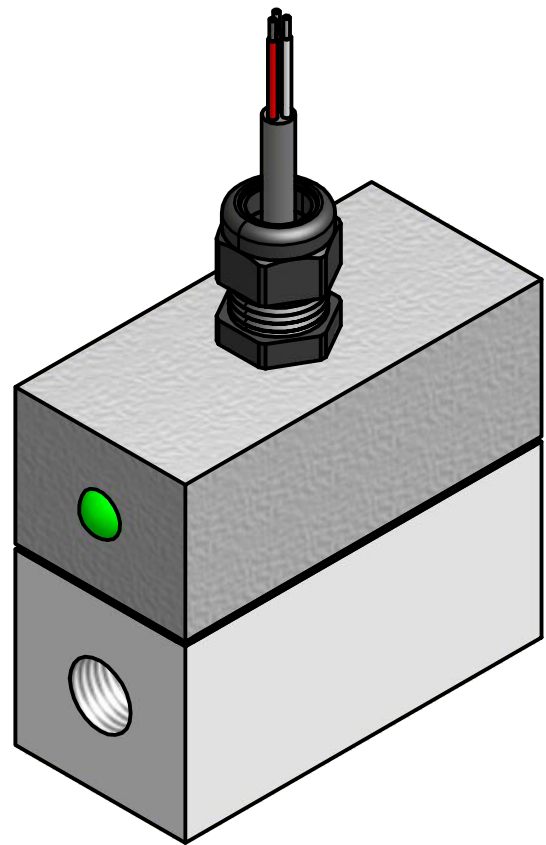


| REVISION HISTORY | | |
|------------------|-------------|------------|
| REV | DESCRIPTION | DATE |
| A | RELEASE | 09/16/2019 |



- NOTES.
1. THERMAL MASS FLOW METER FOR GAS FLOW.
 2. WETTED PARTS; PTFE/TEFLON, CERAMIC AND EPOXY.
 3. OPERATING TEMPERATURE; -20 to 80 °C
 4. OPERATING PRESSURE; 80 PSIG
 5. FLOW RANGE; 0 TO 10 SLPM / AIR
 6. POWER SUPPLY; 24 VDC
 7. OUTPUT SIGNAL; 0 to 10 VDC
 8. LEADS; Q7120 PVC JACKETED, 36 INCHES LONG.
 9. WIRE COLOR CODE; RED-24VDC, BLACK-GND AND WHITE-0 TO 10 VDC
 10. PORTS; 1/4-18 FNPT
 11. PART NUMBER; MFSB1458

DIMENSIONS ARE IN INCHES
UNLESS OTHERWISE NOTED
TOLERANCE
FRACTIONS ±1/64
ANGLES ±1/2°
.XX ± .01
.XXX ±.005

| | | |
|----------|-----|----------|
| DRAWN | RVJ | 9/6/2019 |
| CHECKED | | |
| QA | | |
| MFG | | |
| APPROVED | | |

ChemTec
Chem Tec Equipment Co.
3077 SW 13th Drive
Deerfield Beach, FL 33442
Phone: 954-428-8259

TITLE
SPECIFICATIONS PN; MFSB1458

UNAUTHORIZED USE, MANUFACTURE OR REPRODUCTION
IN WHOLE OR IN PART IS PROHIBITED. DRAWING, DESIGN
AND OTHER DISCLOSURES ARE PROPERTY OF
CHEMTEC EQUIPMENT CO. INC.

| | | | |
|-------|--------------|--------|-----|
| SCALE | SHEET 1 OF 1 | DWG NO | REV |
| | | B1458 | |