

CHEM TEC EQUIPMENT COMPANY

234 SW 12th Ave., Deerfield Beach, FL 33442
(954) 428-8259 Fax: (954) 428-8745

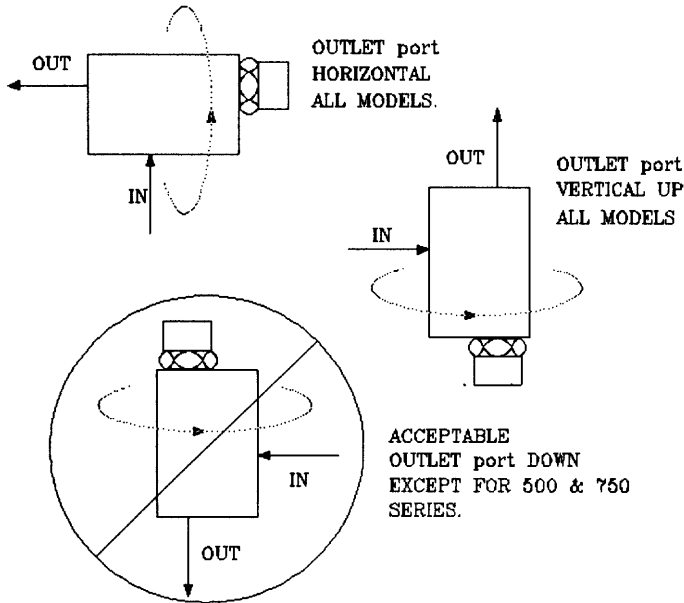
INSTALLATION AND MAINTENANCE

EFV SERIES

SPECIFICATIONS: See catalog.

INSTALLATION:

Teflon tape suggested for fittings.
Use 50 micron filter no magnetic particles.



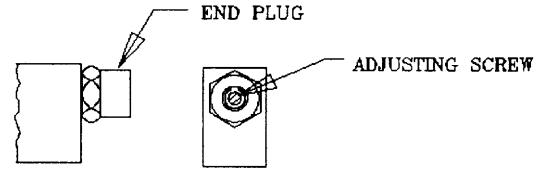
MAINTENANCE:

The EFV normally would not require maintenance except for periodic cleaning determined by the application. A suggested cleaning and seal replacement would be every 5 years depending on the media.

ACTUATION:

An actuation point 3 times the normal maximum flow rate at the lowest normal line pressure is suggested.

ADJUSTMENTS:



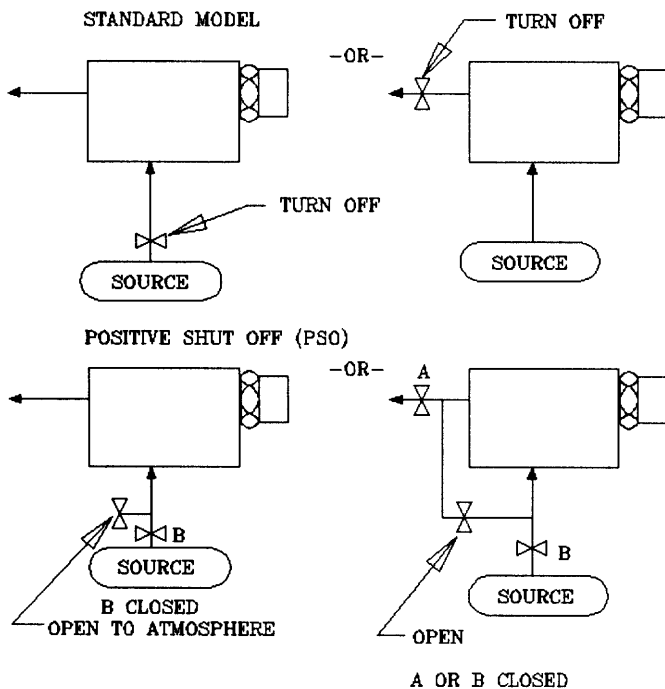
Adjustments should be made at atmospheric pressure. Always hold the end plug on the hex while adjusting. Never remove the retaining clip. Field calibration can be done against a flowmeter. Turn the adjusting screw **CLOCKWISE** to **DECREASE** the actuation point. Turn the adjusting screw **COUNTERCLOCKWISE** to **INCREASE** the actuation point.

SEAL KIT PART NUMBER:

MODEL	125	250	375	500	750
STD. B or S	A917V	A918V	A921V	A919V	A920V
1 PSO B or S	A917V-1	A918V-1	A921V-1	A919V-1	A920V-1
2 MRS BRASS	A917V-2	A918V-2	A921V-2	A919V-2	A920V-2
2 MRS 316S.S.	A917V-2	A918V-3	A921V-3	A919V-3	A920V-3

1 - MRS O-Rings only.
2 - O-Rings and Packing Seals.

TO RESET UNIT AFTER ACTUATION:



ALL UNITS WILL NOT FUNCTION OR BE
ADVERSELY AFFECTED BY BACK FLOW